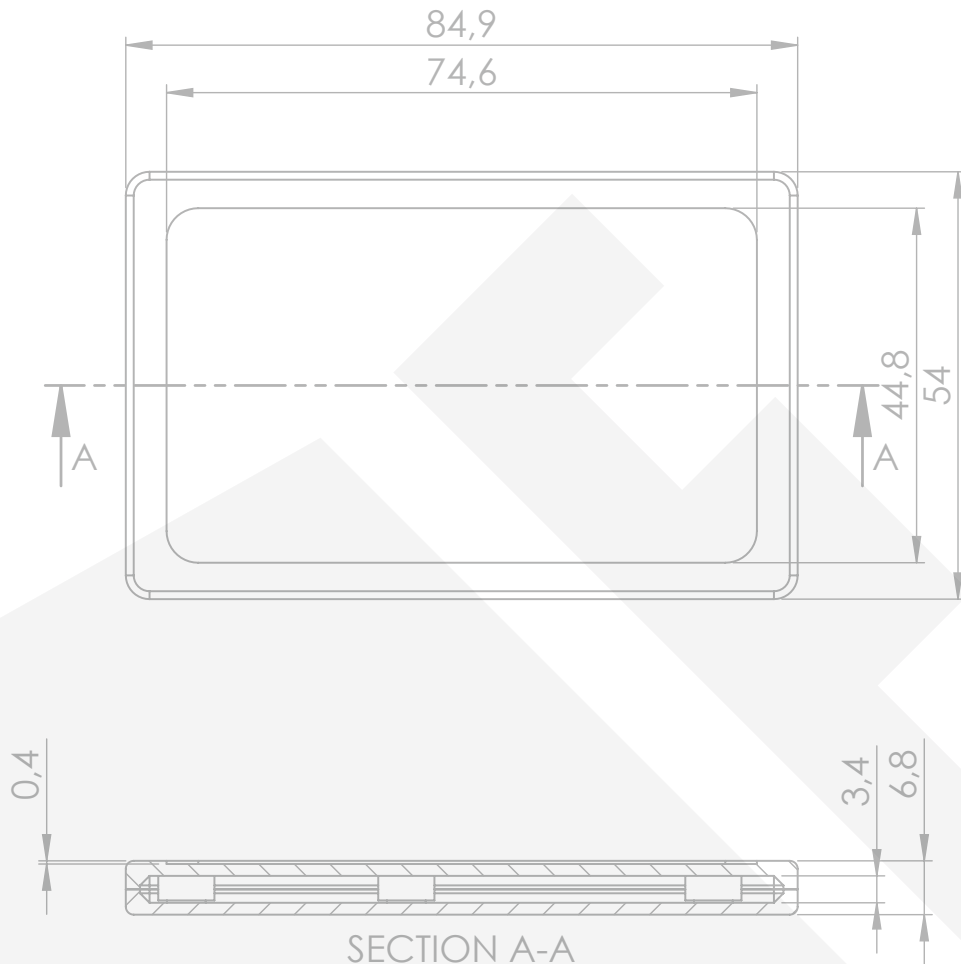


## KEYBOARD ENCLOSURES

Housing made of polystyrene in colour standards RAL 9004 and RAL 7035. On demand keyboard enclosures can be made of any kind of material and colour. Size, symmetric construction and one millimeter lowering on the front of enclosure gives an opportunity to add front foil or membrane keyboard. These elements keeps extraordinary esthetic impression.



SECTION A-A



KM-45KL



## KEYBOARD ENCLOSURES



Z-20A

Z-33B



Desktop cases manufactured in polystyrene material. Standard colours RAL 9004 and RAL 7035. Upon request ABS material available. Base of enclosures with integral PCB mounting studs. Cover has a lowering suitable for a membrane keyboard or display. Matt surface finishing. Closing by four screws with plastic feet.

Model	Website	Length	Width	Height	Material	Accessories
Z-33	Series A	190	140	47	PS	S, Fo
Z-33A	Series A	190	140	49	PS	S, Fo
Z-33B	Series A	190	140	49	PS	S, Fo
Z-20	Series B	120	126	54	PS	S, Fo
Z-20A	Series B	190	139	59	PS	S, Fo
KM-45	Unclassified	85	54	6	ABS	
KM-45B	Unclassified	85	54	6		
KM-45KL	Unclassified	85	54	6		
Z-25	Unclassified	221	219	78	PS	S, Fo

Bj - baterie joints  
Bs - baskets for batteries  
Bt - buttons

Cs - cord sleeve  
F - fibers  
Ff - front foil

Fl - filters  
Fo - foot for enclosure  
G - gaskets

Gr - with grounding  
I - insert  
Mk - membrane keyboard

P - plug for screws  
Pi - pins for transformers  
S - screws

So - socket without grounding  
SoGr - socket with grounding  
Sp - plastic screws