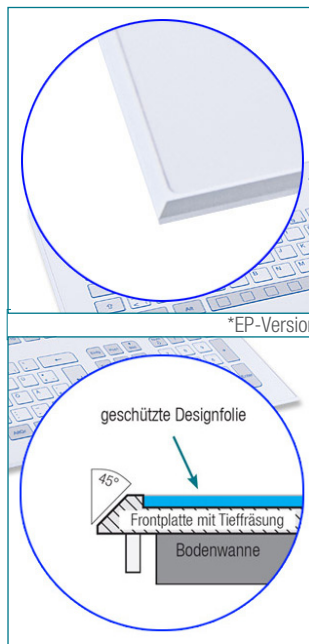
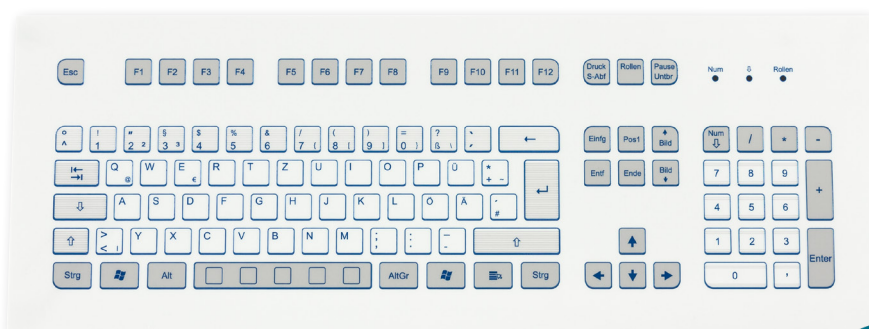


### TKS-105c-MODUL and EP\*



### FEATURES

- Panel mount version with reserve side threaded bolts
- Excellent tactile feedback
- Key relief printing
- Chemical, abrasion and scratch resistant frontsheet
- Resistant against dirt, dust and liquids (IP65)
- Frontplate alternatively with edge protection

### TECHNICAL DATA

Number of keys:	105	Interfaces:	PS/2; USB
Keyswitch technology:	short travel keys	USB compatibility:	complies with USB 2.0
Operating force:	2.6 N	Operating temperature:	-25 °C to +70 °C
Switch travel:	0.3 mm	Storage temperature:	-25 °C to +80 °C
Switching cycles:	approx. 3 mill. (per key)	Dimensions:	482,6 x 177,8 x 23 mm
Protection level (max):	IP65	Dimensions (with EP):	482,6 x 177,8 x 23.1 mm
Mounting type:	front panel with threaded bolts	Weight:	1200 g
Front panel material:	aluminium		

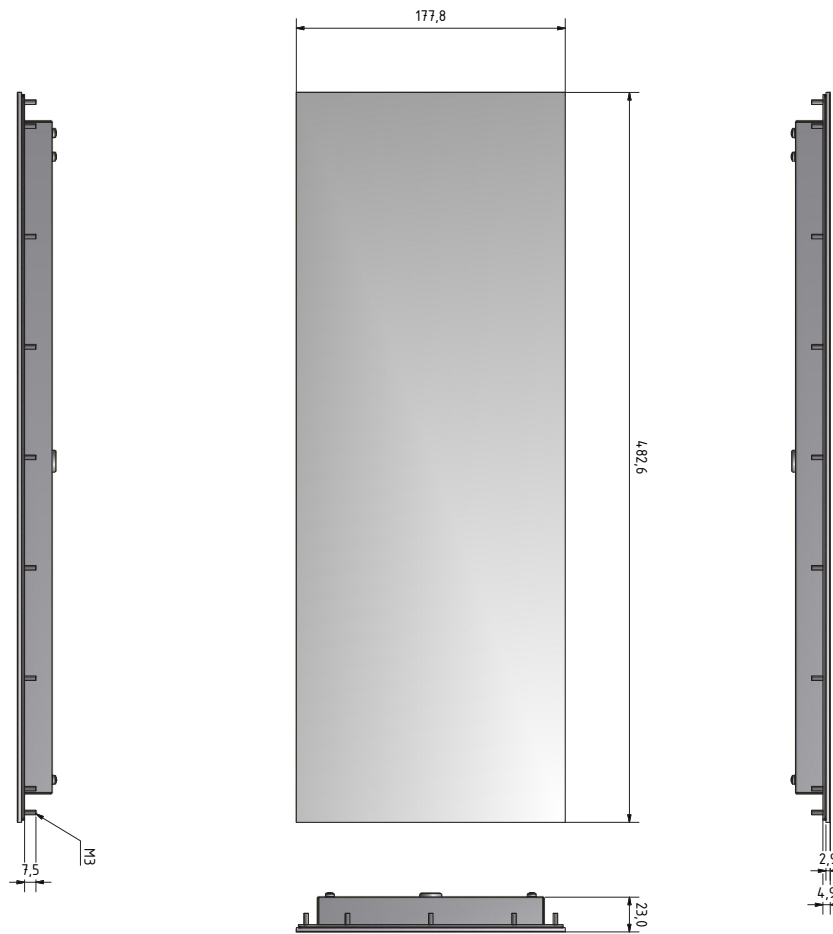
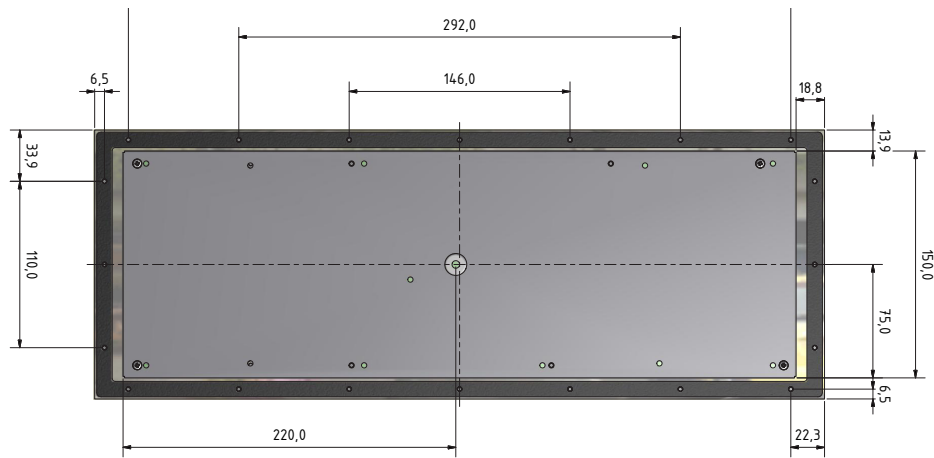
\*As a special feature, the EP version offers a deep milled front panel with a peripheral edge for optimum protection of the foil edge.

Cat.No.	Product description	Interface	Layout
KS18270	TKS-105c-MODUL-PS/2-DE	PS/2	German
KS18271	TKS-105c-MODUL-PS/2-US	PS/2	US
KS18272	TKS-105c-MODUL-USB-DE	USB	German
KS18273	TKS-105c-MODUL-USB-US	USB	US
KS18361	TKS-105c-MODUL-EP-PS/2-DE	with Edge Protection PS/2	German
KS18362	TKS-105c-MODUL-EP-PS/2-US	with Edge Protection PS/2	US
KS18363	TKS-105c-MODUL-EP-USB-DE	with Edge Protection USB	German
KS18364	TKS-105c-MODUL-EP-USB-US	with Edge Protection USB	US

Other language versions / interfaces / configurations available on request.

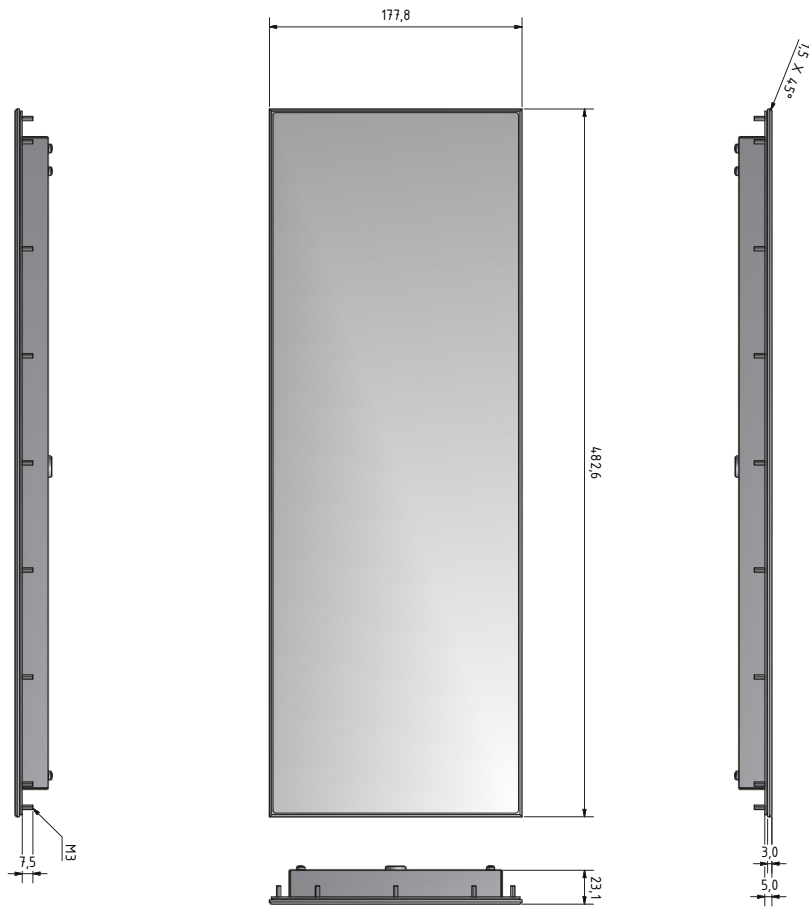
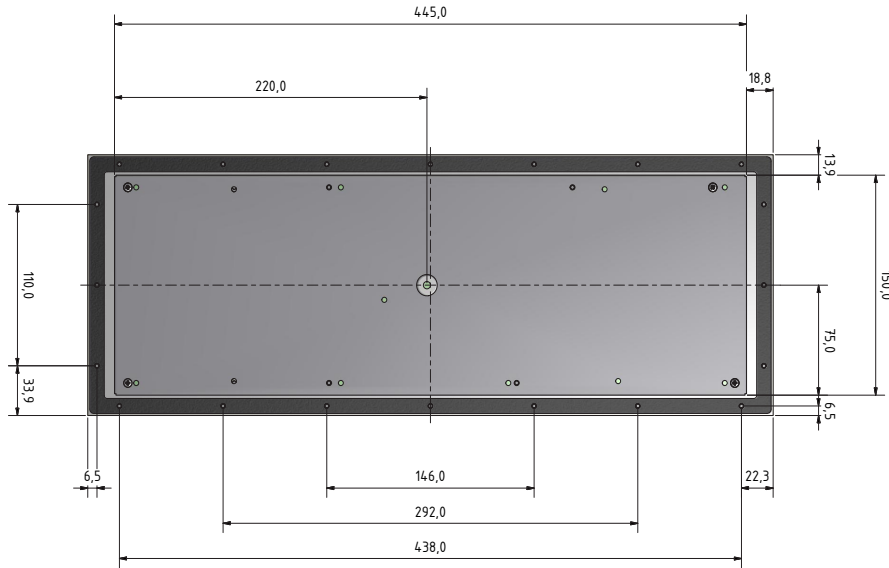
Subject to modifications and errors

## TECHNICAL DRAWING (in mm)



Subject to modifications and errors

### TECHNICAL DRAWING - with EP (in mm)



Subject to modifications and errors

GETT Gerätetechnik GmbH

Mittlerer Ring 1 | 08233 Treuen | Germany  
 Tel: +49 37468 660-0  
 Fax: +49 37468 660-66  
 E-Mail: info@gett.de  
 Internet: www.gett.de

Gett North America LLC

E-Mail: info@gett-na.com  
 Internet: www.gett-na.com

Gett Asia Ltd.

E-Mail: info@gett-asia.com  
 Internet: www.gett-asia.com

**gett.de**  
**gett-group.com**