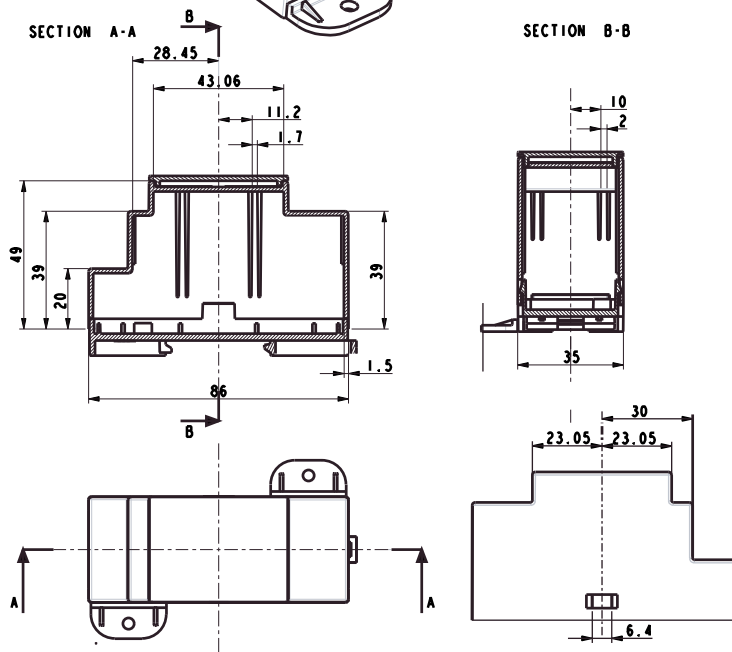
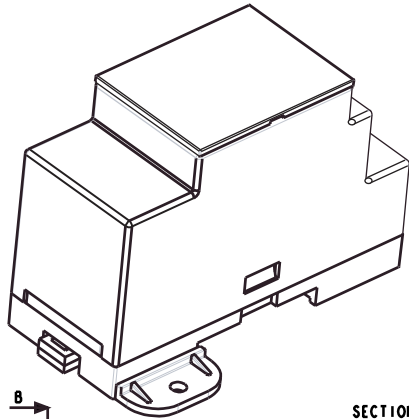


2 MODULE ENCLOSURES

350 High/Low

SERIES
M2



2-Module enclosure for M36 Din-rail. Series High-Low is designed to give more room for special connectors and larger components and if requested with custom made holes for connectors and terminals.

Lid, PCB, customized label and packing is available. Possibility for both base and top PCB. Aclosed version without terminals is also available.

Trimmers and spindles that fit the height of the box are available.

TECHNICAL DATA:

TOP PART:

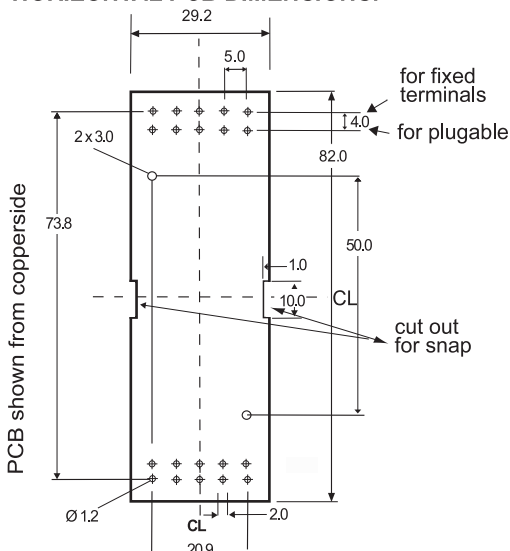
Material: Lexan 940
 Colour: Grey (RAL 7035)
 Max. temperature: 100°C
 Width: 35.0 mm
 (2 modules)
 Label measure: 41.0 x 30.0 mm
 Self-extinguishing: Acc. to UL94-V0
 IP Protection: IP 20

BASE PART:

Material: Noryl VO 1550
 Colour: Black (RAL 7005)
 Max. temperature: 100°C
 Max. wire dia.: 2 x 2.5 mm²
 Max. load: 16A (for higher load please enquire)
 Terminals: 10 fixed or plugable
 Mounting: DIN-rail (EN50022)
 Self-extinguishing: Acc. to UL94-V0

For detailed drawings please see www.bernic.dk or ask for a CAD drawing

HORIZONTAL PCB DIMENSIONS:



● All measurements are in mm.

● Please note that most plugable terminals are in 5,08 pitch and need a bigger hole in the PCB

TYPE High/low M2	ORDER CODE:
Complete, 257 for plugable	p/n 4979340351
Complete, 605 for fixed terminals	p/n 4979340352
Complete, closed, no terminals	p/n 4979340350
Top part, 257, plugable	p/n 4979334351
Top part, 605 / 250 fixed terminals	p/n 4979330352
Top part, grey, closed, no terminals	p/n 4979330350
Base part with clip and 2 screws	p/n 4979332351
DIN-rail clip for 350	p/n 0669000605
Terminal for 350, 257/5, HO/A, PCB part	p/n 1155705580
Terminal for 350, 256/5, wire part	p/n 1155605080
Terminal for 350, 605/5, fixed terminals	p/n 3950145108
Packing for 350	p/n 2068350002
Raw PCB for 350	p/n 4999000350
Screw/selfcutting 2 pcs.	p/n 7006102965

Many more p/n available - please enquire.